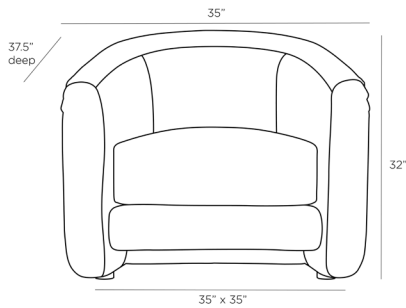


ARTERIOS

RUPERT CHAIR CHARCOAL SHERPA



8169

H: 32 IN, W: 35 IN, D: 37.5 IN

Charcoal Sherpa

Contract Suitable As Is

Inviting for its shape and cozy, charcoal Sherpa upholstery, the rolled-arm, barrel-back lounge chair is sure to become the favorite seat in the house. Fashioned in a neutral charcoal gray, the chair will pair perfectly with various styles and furnishings.

APPEARANCE

Material	Sherpa
Finish	Charcoal
Top Coat/Sealant	false

DIMENSIONS

Arm	H: 26.5 IN, W: 25.5 IN, D: 23 IN
Foot Print	W: 35 IN, D: 35 IN
Leg Height	2 IN
Seat Back Height	15 IN
Seat	W: 21 IN, D: 22 IN
Seat Height	18.5 IN
Seat	W: 21 IN, D: 22 IN
Yardage To Reupholster	7

SHIPPING

Shipping Requirements	TruckShip
Product Weight	60.5 LBS
Gross Weight 1	127.05 LBS
Shipping Box 1	H: 32 IN, L: 35 IN, W: 37.5 IN

ADDITIONAL INFO

Leg Or Foot Application	Leveler
Fabric Compliancy	NFPA-260, TB117-2013
Fabric Cleaning Code	S - DRY CLEAN ONLY
Fabric Content	100% POLYESTER
Fabric Rub Count	100,000
Foam Compliancy	TB117-2013, NFPA-260

CONTRACT

Contract Suitable	true
-------------------	------